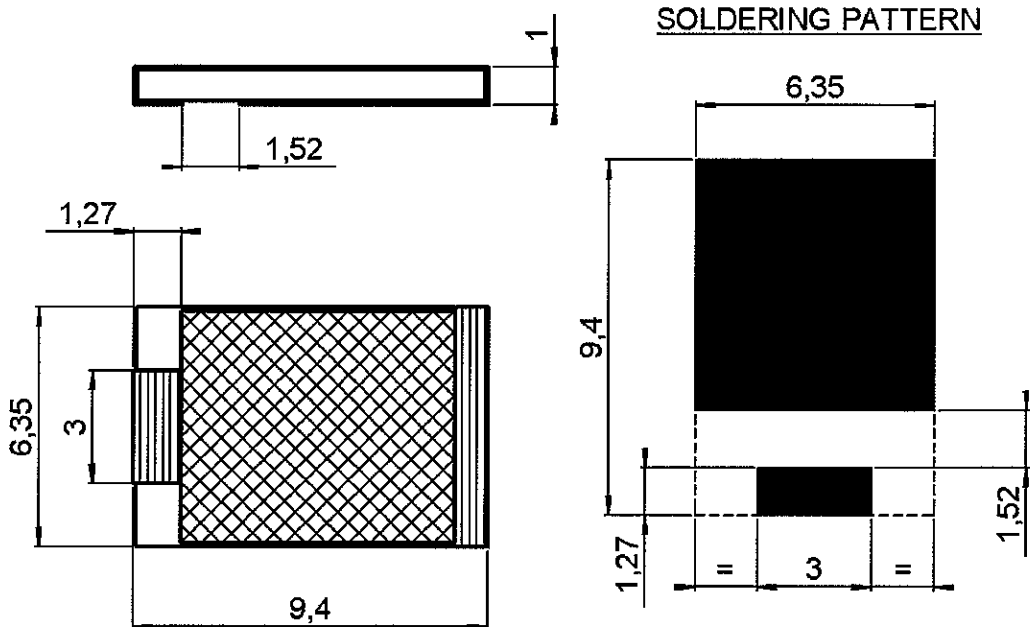


SMT TERMINATION (ALN)

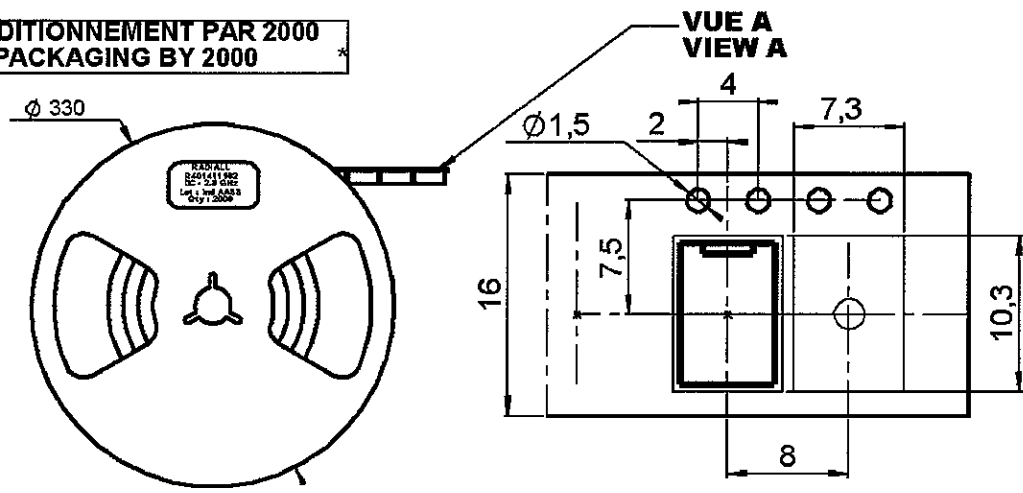
R401.411.102

DC - 2.5GHZ 40-120W (TRUE SURFACE MOUNT)

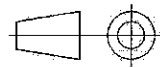
Series :
TERMINATION



* CONDITIONNEMENT PAR 2000
PACKAGING BY 2000 *



dimensions are in mm.



Issue : 0520 A

In the effort to improve our products, we reserve the right to make changes judged to be necessary.



SMT TERMINATION (ALN)

R401.411.102

DC - 2.5GHZ 40-120W (TRUE SURFACE MOUNT)

Series :
TERMINATION

ELECTRICAL CHARACTERISTICS

Frequency range : DC – 2.5 GHz
 Impedance : 50 ohms ±5%
 Average Power : 120 W

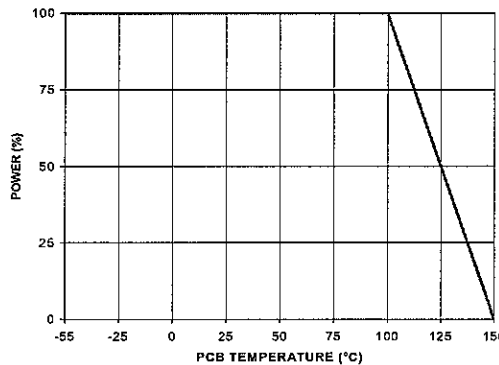
Frequency	DC – 2.5 GHz				
V.S.W.R	<= 1.25				

MECHANICAL CHARACTERISTICS

Substrate : AlN
 Resistive film : Thick film
 Protection film : Epoxy
 Contacts : AgPd

OTHER CHARACTERISTICS

Power derating
Versus temperature



ENVIRONMENTAL

Operating temperature range : -55°C + 150°C

IMPORTANT NOTE FOR POWER DISSIPATION

40W : When mounted on PCB 0.8mm with via holes Ø 0.5mm filled with Sn96 Ag4 solder.
 120W : When directly soldered on a metallic base plate not exceeding 100°C.